



CO-250

Standalone Electronic Lock

The CO-Series is the ideal solution for customers seeking the added security and convenience of electronic access control without the cost or complexity of a fully networked system.

The CO-250 is a computer programmable offline lock that stores user rights on the magnetic stripe credential, and captures an audit trail in the lock. The CO-250 provides dynamic rights management, meaning you do not have to visit the door to change user access rights. This makes it a cost effective solution for offline environments with a large number of users. The CO-250 also allows you to retrieve audits by using the Handheld Device (HHD) in conjunction with your access control software.

The CO-250 from Schlage offers you many choices. Cylindrical, mortise, mortise deadbolt, and exit trim chassis options are available as well as a wide variety of finishes and levers to suite with your existing hardware.

Mechanical key override is standard and compatible with multiple cylinder types. The CO-Series is also compatible with many popular brands of exit devices.

The CO-Series has been tested the highest standards in the industry to ensure quality and reliability you have come to expect from Schlage. The CO-Series is ANSI/BHMA A156.25, ANSI/BHMA Grade 1 certified and UL 294 listed.



Images shown are not to scale.

Features and Benefits

- Computer programmable with audit trail
- Unlimited number of users and up to 4000 audits*
- Available with Magnetic Stripe and Magnetic Stripe plus Keypad
- Up to 32 holidays & 16 time zones*
- ANSI/BHMA A156.25, ANSI/BHMA Grade 1 certified and UL 294 listed
- User rights stored on the magnetic stripe credential
- The ability to easily add and delete users
- Available in cylindrical, mortise, mortise deadbolt, and exit trim
- Compatible with major brands of key systems and exit devices
- Classroom/Storeroom, Office, and Privacy functions available

*Depending on access control software.

Specifications

| CO-250 Electronic Lock Specifications | |
|---------------------------------------|--|
| Users | Unlimited* |
| Audits | Up to 4,000* |
| Credential Verification Time | ≤ 1 second |
| Visual/Audible Communications | Tri-colored LED's & audible indicators |
| System Interface | Handheld Device |
| Power Supply | 4 AA batteries |
| Battery Life | Up to 2 yrs with 4 AA batteries |
| Operating Temperature - Exterior | -31° to 151°F (-35° to 66°C) |
| Operating Temperature - Interior | 32° to 120°F (0° to 49°C) due to batteries |
| Operating Humidity | 0 - 100% condensing |
| Certifications | ANSI/BHMA A156.25, ANSI/BHMA Grade 1, UL 294, UL 10 C, FCC Part 15, ADA and ROHS |
| Accessories | Handheld Device (HHD), Magnetic Stripe Credential Encoder (CL-Encoder 2) |

*Depending on access control software.

Functions

- ▶ Classroom/Storeroom
- ▶ Office
- ▶ Privacy*

Note: Classroom/Storeroom and Office function not available with Mortise Deadbolt option. To ensure safety, all functions always allow for free egress.

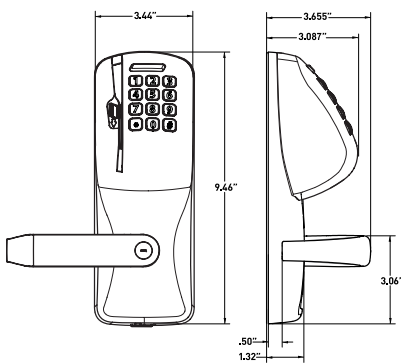
*Door position switch is required for cylindrical and mortise chassis with privacy function.

Standard Status Signals

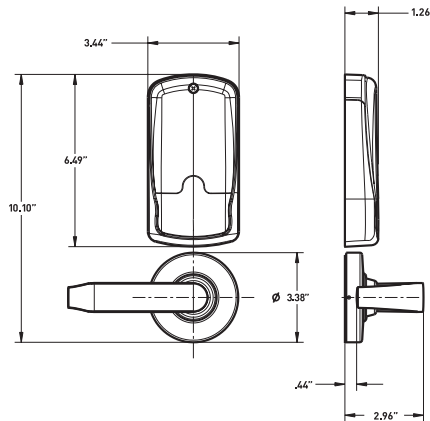
- ▶ Mechanical Key Override
- ▶ Battery Status

Dimensions

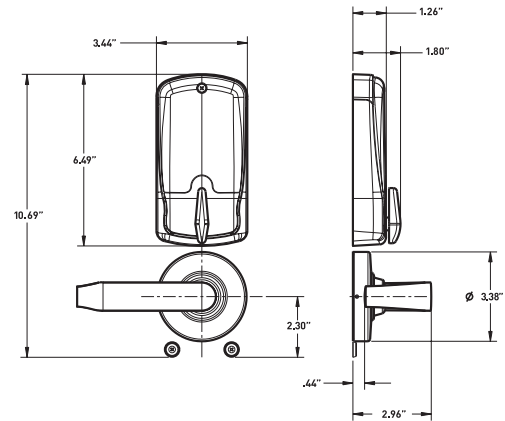
Exterior of the Lock



Interior of the Lock
Cylindrical



Mortise Deadbolt



Schlage Utility Software on Handheld Device

The Schlage Utility Software (SUS) on the Handheld Device (HHD), in conjunction with your access control software, provides an easy way to manage people, audits and locks for simple access control management.

Schlage Utility Software

- Initialize Lock and Accessories
- Field Configure Devices
 - Credential Reader Formats
 - Lock Function
 - Unlock Period
 - Failure Mode
 - Audible Alarm ON/OFF
- Service & Diagnostics
 - Battery Status
 - Validate hardware and software revision
 - Troubleshooting Status Signals

HHD

- 3.5 in LCD display
- Touch Screen/Keypad Backlit
- 32-bit processor
- OS: Windows Mobile 5.0
- Memory: 128 MB RAM/256 MB ROM
- Battery: Rechargeable 3.7 v, 1,230 mAh, Li-ion
- Dimensions: 5.3" x 2.9" x 0.7" (13.5 cm x 7.3 cm x 1.8 cm)
- Weight: 0.42 lbs. (190 g)
- 4 ft. (1.2 m) drop to steel surface, 2 drops per 6 sides



The HHD connects with CO-Series and AD-Series locks and accessories via the USB interface

HHD is also compatible with CM, CL, VIP, WA, and KC2 series locks via a serial cable connection.

| Mechanical Specifications | | |
|---------------------------|--|---|
| Chassis | Cylindrical (Based on Schlage ND-Series) | Mortise (Based on Schlage L-Series) |
| Handing | Handed to Order, Field Reversible | |
| ANSI Standard | Meets or exceeds A156.25 and A156.2 Series 4000, Grade 1 strength and operational requirements | Meets or exceeds A156.25 and A156.13 Series 1000, Grade 1 operational and security |
| Door Thickness | 1-3/4" standard, 1-3/8" to 2-3/4" optional (available in 1/8" increments) | |
| Backset | 2-3/4" standard, 2-3/8", 3-3/4" and 5" optional | 2-3/4" only |
| Latch Bolt | 1/2" throw security latch standard 3/4" throw optional | 3/4" throw with anti-friction tongue standard 1" throw deadbolt on Mortise Deadbolt option |
| Levers | Pressure cast zinc, plated to match finish symbols | Steel, plated to match finish symbols |
| Strike | ANSI curved lip strike 1-1/4" x 4-7/8" x 1-3/16" lip to center standard, optional strikes, lip lengths and ANSI strike box available | ANSI curved lip strike 1-1/4" x 4-7/8" x 1-3/16" lip to center with dust box standard, optional strikes lip lengths available |

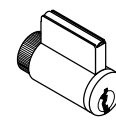
Compatibility

| Exit Device Compatibility | Rim | SVR | CVR/CVC | Mortise |
|---|-----|-----|---------|---------|
| Von Duprin 98/99 and 98/99 XP | ✓ | ✓ | ✓* | ✓ |
| Von Duprin 22/22F | ✓ | ✓ | | |
| Falcon 25 | ✓ | | | |
| Corbin Russwin® 5000 | ✓ | | | |
| Precision™ 21 Rim 2100 converts to 21 with Precision's BP21 kit | ✓ | | | |
| Yale® 7000 | ✓ | | | |
| Dorma® 9300 | ✓ | | | |
| Sargent® 80 | ✓ | | | |

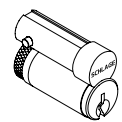
* Metal door only

| Cylinder Compatibility | Full Size key-in-lever 6 pin | Full Size key-in-lever 7 pin | FSIC 6 & 7pin | SFIC 6 & 7pin |
|---------------------------------------|---------------------------------|---------------------------------|------------------|------------------|
| Schlage | ● | | ● | ● |
| Falcon | ▲ | ◆ | | ▲ |
| Sargent® (10L + 11L Full Size) | ▲ | | ▲ | ▲ |
| Corbin Russwin® | | | ▲ | ▲ |
| Yale® (includes Medeco 31 *0100 FSIC) | | | ▲ | ▲ |
| Best® | | | | ▲ |

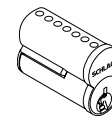
● = with cylinder or less cylinder options
 ◆ = less cylinder, only with Sparta and Rhodes levers
 ▲ = less cylinder only
 Note: See pricebook for specific configurations.



Full Cylinder



Full Size Interchangeable Core



Small Format Interchangeable Core

Reader Specifications



Magnetic Stripe

KEYPAD

- Triple Track Reader (1, 2 or 3), field configurable
- ABA, ISO76XX Standard
- 12 button, 3x4 matrix keypad



Magnetic Stripe

- Triple Track Reader (1, 2 or 3), field configurable
- ABA, ISO76XX Standard

Ordering Information

Available through one of our GSA Schedule 84 approved distributors

| Required Fields | | | | | Factory Defaults & Options | | | | | | | |
|--|-------|---------|----------|--------|----------------------------|--------|----------------|-------------|---------|-----------------|--------|----------------|
| CO-250-CY-70-MS-SPA-626-PD-C123-RH-13-049-10-025-1-3/4 | | | | | | | | | | | | |
| Series | Class | Chassis | Function | Reader | Lever Style | Finish | Lever Cylinder | Keying Type | Handing | Backset & Latch | Strike | Door Thickness |
| 1 | 2 | 3 | 4 | 5 | 6 | 7 | 8 | 9 | 10 | 11 | 12 | 13 |

Selections Correspond With the Numbers Above

Standard options are indicated in bold. See price book for specific configuration options.

| 3 Chassis | |
|------------|--------------------------|
| CY | Cylindrical |
| MS | Mortise |
| MD | Mortise Deadbolt |
| 993R | Exit Trim – Rim/CVR/CVC |
| 993S | Exit Trim – SVR |
| 993M | Exit Trim – Mortise |
| 993DT | Exit Dummy Trim |
| 4 Function | |
| 70 | Classroom/Storeroom |
| 50 | Office |
| 40 | Privacy |
| 5 Reader | |
| MS | Magnetic Stripe |
| MSK | Magnetic Stripe + Keypad |
| 6 Lever | |
| SPA | Sparta |
| RHO | Rhodes |
| ATH | Athens |
| TLR | Tubular |

Available with knurled surface

| 7 Finish | |
|------------------------|-----------------------------|
| 626 | Satin Chrome |
| 605 | Bright Brass |
| 606 | Satin Brass |
| 612 | Satin Bronze |
| 619 | Satin Nickel |
| 625 | Bright Chrome |
| 643e | Aged Bronze |
| 626AM | Satin Chrome Antimicrobial |
| 8 Lever Cylinder Type | |
| PD | Schlage 6-pin Full Cylinder |
| 9 Keyway Type | |
| C123 Everest | |
| 10 Handing | |
| RH Right Handed | |
| RHR | Right Handed Reverse |
| LH | Left Handed |
| LHR | Left Handed Reverse |

| 11 Backset & Latch or Armor Front | |
|-----------------------------------|--|
| Cylindrical | |
| 13-049 | 2-3/4" Backset, Deadlatch, Square Corner, 1-1/8" x 2-1/4" |
| Mortise | |
| 09-663 | Armor Front, 1-1/4" Wide, Square Corner |
| 12 Strike | |
| Cylindrical | |
| 10-025 | 1-3/16 Lip, ANSI, No Box, 1-1/4" x 4-7/8" |
| Mortise | |
| 10-072 | 1-3/16" Lip, 1-1/4" x 4-7/8" Square Corner, Box |
| 13 Door Thickness | |
| 1-3/4" | |

Lever styles

Standard cylinders shown, SFIC and FSIC also available.



Sparta

Rhodes



Athens

Tubular

Warm tone finishes



605 Bright Brass

606 Satin Brass

612 Satin Bronze

643e Aged Bronze

Cool tone finishes



619 Satin Nickel

625 Bright Chrome

626 Satin Chrome

626AM Satin Chrome Antimicrobial

INGERSOLL RAND, the Ingersoll Rand logo, SCHLAGE, the SCHLAGE logo, XceedID, Von Duprin and Falcon are trademarks of Ingersoll-Rand plc, its subsidiaries and/or affiliates in the United States and other countries. Sargent is a trademark of Sargent Manufacturing Company. Corbin Russwin is a trademark of Corbin Russwin, Inc. Yale is a trademark of Yale Security, Inc. Best and Precision are trademarks of Stanley Black & Decker. Dorma is a trademark of DORMA Door Controls, Inc. All other trademarks are the property of their respective owners.

